

# KENTANK®

securing water • for healthy living



150 to 24,000 litres

- 30 years' expected lifespan
- No rust
- Easy to clean
- Easy to install
- No change in water taste
- No maintenance
- One-piece, No Joints / No Leaks
- Readily available

## Kenya's No. 1 Water Tank!

Made with American and Norwegian technologies.

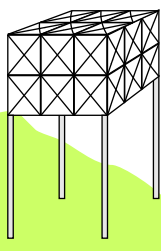
Key benefits of KENTANK are:

- >30 years' expected lifespan through effective stabilization of polyethylene against the harmful effect of sunlight. This is achieved by incorporating >2.3% carbon black into polyethylene by melt compounding process and use of a suitable carbon black masterbatch
- Made of food grade polyethylene approved by Food and Drugs Administration of USA, safe for storage of water, rust-free and inert with no impact on the taste of water
- Maintenance-free, inexpensive and easy to instal - on a base made from brick, stone or block walling filled with soil and sieved sand - see figure 2
- Very strong due to its unique corrugated design
- One-piece moulding with no joints and, therefore, leak-proof
- Water remains protected because inside of KENTANK is also made of melt compounded polyethylene
- Ideal for above ground stationary use

KENTANK is simply the best water tank available in Kenya with so many advantages over all competing products as shown below!

### Metal Panel Tanks

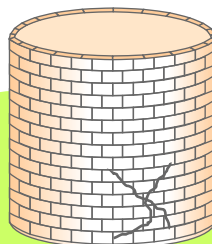
**NO**



- ⊗ Expensive
- ⊗ Has joints
- ⊗ Requires maintenance, paint, colas & gaskets
- ⊗ Heavy
- ⊗ Rusts

### Masonry Tanks

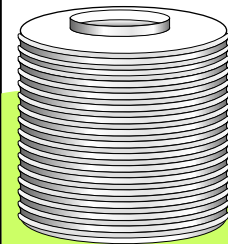
**NO**



- ⊗ Expensive
- ⊗ Cracks & leaks
- ⊗ Takes skill and time to build
- ⊗ Algae
- ⊗ Not mobile

### Metal Corrugated Tanks

**NO**



- ⊗ Short lifespan
- ⊗ Thin gauge
- ⊗ Rusts
- ⊗ Leaks at joints
- ⊗ Needs regular maintenance

**KENTAINERS**  
LIMITED

Embakasi Rd. Off Airport North Rd. Nairobi  
Ph: (020) 823 513-6 / 823 442-4 6750993, 6750984  
Fax (020) 823 927 / 823 717  
Email: info@kentainers.com www.kentainers.com

**AQUA-SAN**  
s.a.r.l.

AQUA-SAN s.a.r.l. Gikondo Industrial Area  
Next to Rwanda Foam, B.P. 5159, Kigali, Rwanda  
Tel/Fax No: (250) 503285 Mobile: 08306833, 08307833  
Email: aquasan@rwanda1.com www.aqua-tanks.com

**CRESTANKS**  
LIMITED

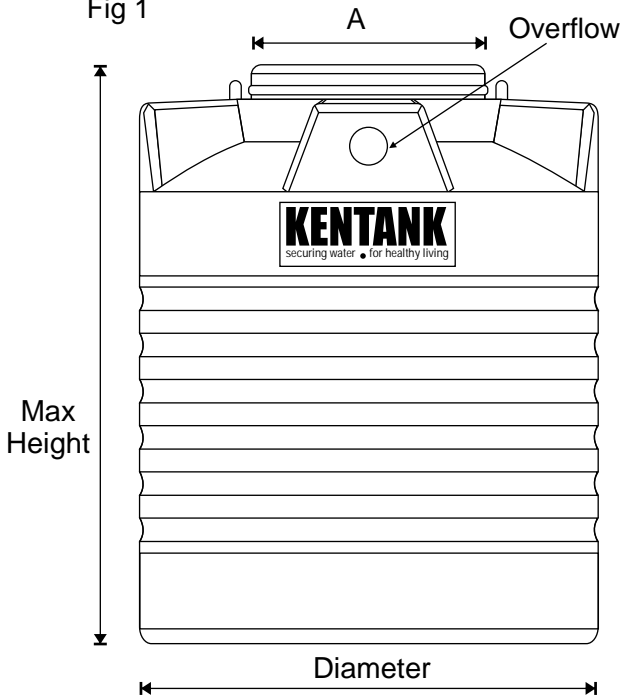
Plot No 86-96, Sixth Street Industrial Area, Kampala  
Ph: (031) 262015 / 16 & (041) 235470 / 348973 Fax: (041) 234184  
Email: crestank@africaonline.co.ug www.crestanks.com

**AQUASAN TZ**  
LIMITED

Plot No. 105C Chang'ombe Industrial Area,  
Near Tanganyika Farmers Association  
Phone: 255 22 2860549 Fax: 255 22 2860 548 Mobile: 0748 945561  
P.O. Box 21640, Dar-es-Salaam Email: aquasantz@bol.co.tz

## KENTANK ABOVE GROUND STATIC WATER STORAGE TANK - CCV SERIES

Fig 1

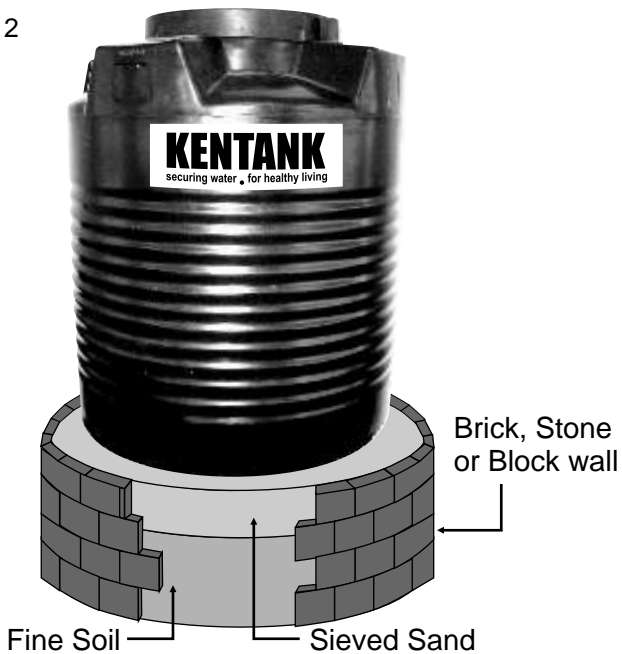


Approx. Tank Dimensions in Cms

	Tank Size	Litres	Gallons	Diameter	MAX Height	A
1	CCV 15	150	33	58	74	29.6
2	CCV 25	250	54	69	84	29.6
3	CCV 30	300	65	75	85	29.6
4	CCV 50	500	109	86	103	42.2
5	CCV 75	750	163	98	118	42.2
6	CCV 100	1000	217	107	127	42.2
7	CCV 101	1000	217	93	175	42.2
8	CCV 135	1350	293	121	138	42.2
9	CCV 150	1500	326	124	142	42.2
10	CCV 200	2000	435	135	158	42.2
11	CCV 230	2300	500	144	165	42.2
12	CCV 231	2300	500	170	125	42.2
13	CCV 250	2500	543	148	169	42.2
14	CCV 300	3000	652	156	185	42.2
15	CCV 320	3200	696	169	140	42.2
16	CCV 350	3500	761	165	187	42.2
17	CCV 400	4000	870	173	200	42.2
18	CCV 460	4600	1000	200	178	62.3
19	CCV 500	5000	1087	185	212	42.2
20	CCV 600	6000	1304	198	223	42.2
21	CCV 800	8000	1739	219	243	62.3
22	CCV 000	10000	2174	236	266	62.3
23	CCV 1600	16000	3478	290	280	62.3
24	CCV 2400	24000	5217	356	280	62.3

## KENTANK INSTALLATION - BUILDING A BRICK, STONE OR BLOCK BASE

Fig 2



- Select a flat area near your house.
- Make sure ground is reasonably stable, firm, level and at a relatively high point to prevent flooding
- Build a wall of brick, stone or blocks of the desired height. Ensure that the inside wall diameter is larger than the tank's diameter.
- Pour fine soil evenly within the wall parameter and top up with sieved sand in the ratio of 2/3 soil to 1/3 sand
- Level area with a rake. Make sure that there are no sharp objects such as stone or glass before installing your KENTANK.

## OTHER INNOVATIVE SOLUTIONS FROM KENTAINERS

150 to 10,000 Ltrs.

**AQUATANK**  
securing water for healthy living  
The Total Rainwater Solution

Ready to use Toilet for Pit

**MOBILET**  
improving sanitation for pit to pit  
The People's Toilet

Urine diverting Mobile Toilet

**MOBI-LOO**  
Divert urine restore soil fertility  
Ideal for Unstable Soils

Low Cost Environmental Friendly Indoor Toilet

**WONDER-LOO**  
improving sanitation for better environment  
Ideal For Every Family

Shallow Well Liner

**PERMAWELL**  
lining shallow wells quick & easy  
Own your own well